

# Crowcon Technical Note

**Document Reference:** FLP-002  
**Document applies to:** Flamgard plus, TXgard Plus, 96HD Sensor Housing  
**Release Date:** 15<sup>th</sup> January 2021  
**Subject:** Product Certification

Flamgard Plus/TXgard Plus detectors and spare 96HD sensor housings can no longer be supplied with UL certification. The products will be marked with ATEX certification only and therefore new products supplied from the date of this notice are only suitable for installation in areas that recognize ATEX.

Products previously supplied with UL markings can remain in use as long as they are maintained and proven to operate correctly.

Spare PCB's can still be supplied for Flamgard Plus/TXgard Plus detectors, however complete UL-marked 96HD sensor housings cannot be supplied. The 96HD is however designed to enable simple sensor replacement as follows:

**WARNING: This work should be carried out by Crowcon or an approved service centre unless suitable training has been received.**

The 96HD sensor housing allows the user to replace the sensors, gaskets and sinter if necessary. Exploded views of the 96HD sensor housing are provided on the following pages for reference. The following procedure may be followed when servicing a 96HD device.

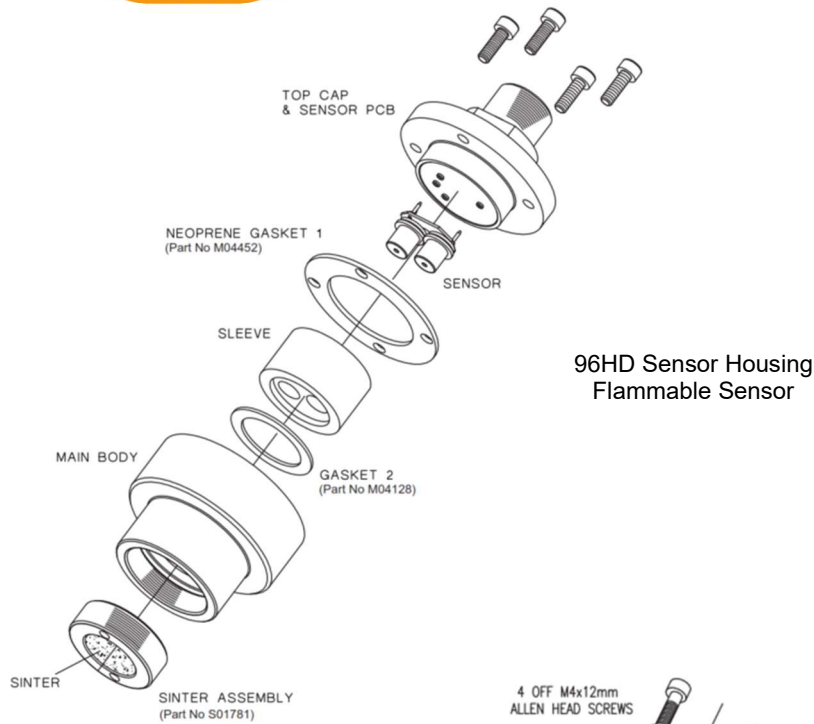
1. Open the 96HD sensor housing by removing the four Allen head screws from the Top Cap with a 3 mm Allen key.
2. Remove the sensor from the Top Cap PCB. Flammable sensors have an extra black sleeve which may be separate from the sensor. This is normal and the sleeve may be re-used.
3. Fit the replacement sensor checking the part number is correct. This part number is labelled on the main body of the detector. Observe pin alignment with the PCB.
4. Inspect the gaskets and replace if necessary.
5. The sinter assembly will only need to be replaced if it has become blocked by dust or oil. Such blockage causes the response time of the detector to be slow and may affect sensitivity. To remove the sinter a removal tool (Part # M01614) is required. Loctite No 243 must be used on the sinter assembly threads to maintain certification.
6. Re-assemble the 96HD housing taking time to ensure that the 3 mm Allen head screws are securely fixed into position.
7. The 96HD is ready for use with the appropriate detector/system.



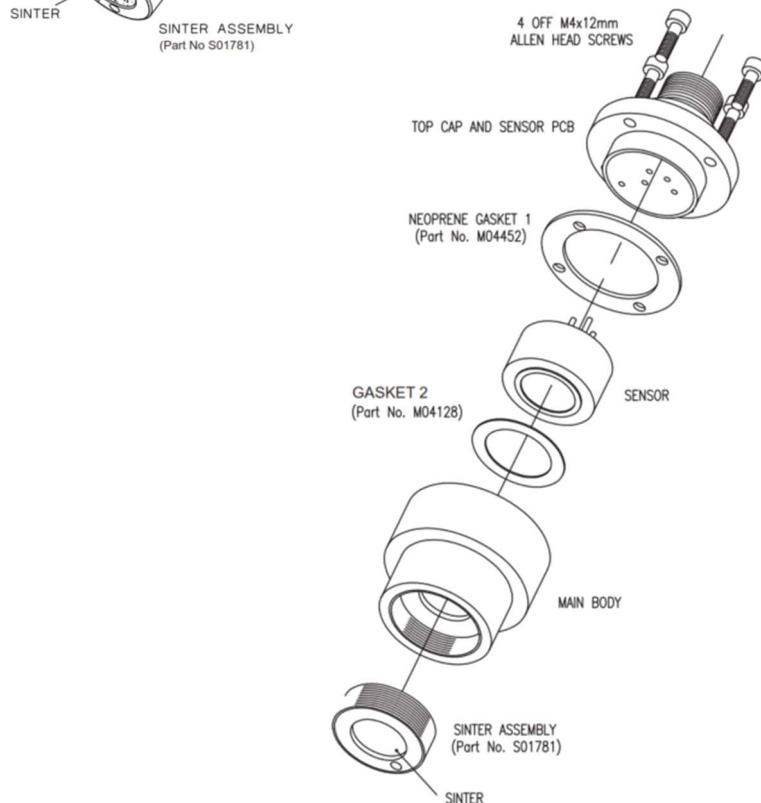
96HD Sensor Housing



# Crowcon Technical Note



96HD Sensor Housing  
Flammable Sensor



96HD Sensor Housing  
Toxic/Oxygen Sensor

For more information please contact +44 (0)1235 557711, [technicalsupport@crowcon.com](mailto:technicalsupport@crowcon.com)