

# Flamgard-Plus

Flameproof Flammable Gas Detector



Installation, Operation and Maintenance Instructions



# 1 Introduction

## 1.1 Product overview

Flamgard Plus is a flameproof flammable gas detector suitable for use in zone 1 or 2 hazardous areas. It is designed to detect flammable gas, present in ambient air, at concentrations not exceeding the Lower Explosive Limit (LEL) of the target gas for which it is calibrated. A local display and magnetically operated switches allow non-intrusive one-man calibration without a hot work permit. Powered by 24 V dc (nominally) Flamgard-Plus provides a 4-20 mA signal (sink or source) proportional to the gas concentration and can also be fitted with optional alarm and fault relays. For a list of flammable gases that can be detected, please contact Crowcon.

## 1.2 Product description

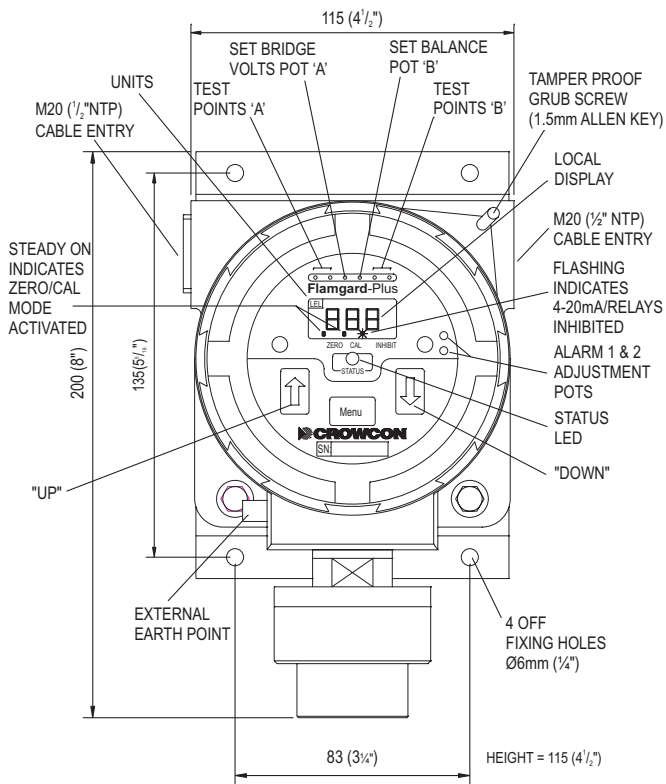
Flamgard Plus comprises four parts; 96HD sensor housing, junction box, amplifier and terminal board. Diagram 1 details Flamgard Plus. The overall assembly is ATEX certified Ex db IIC T6 Gb.

The 96HD sensor housing is a modular stainless steel assembly that dismantles to allow plug in pellistor sensors to be replaced easily (see Diagram 4). The assembly screws into an M20 entry on the junction box.

The junction box is manufactured from marine grade alloy and is supplied with 2x M20 or 1/2" NPT cable entries for customer use.

The amplifier plugs into the terminal board, and is held in place by two captive screws. The amplifier provides power to the pellistor sensor, local display and controls, and a 4-20 mA signal proportional to the gas concentration for connection to a control panel. To remove, turn screws anti-clockwise and use them to pull amplifier out of the enclosure.

All electrical connections are made via the terminal board mounted in the base of the junction box (see Diagram 2). Optional alarm relays (AL1 & AL2) and one fault relay (FAULT) are mounted on the terminal board which may be used to drive local warning devices or connect Flamgard-Plus to a control panel.



All dimensions in mm unless otherwise stated

Diagram 1: Flamgard Plus general arrangement

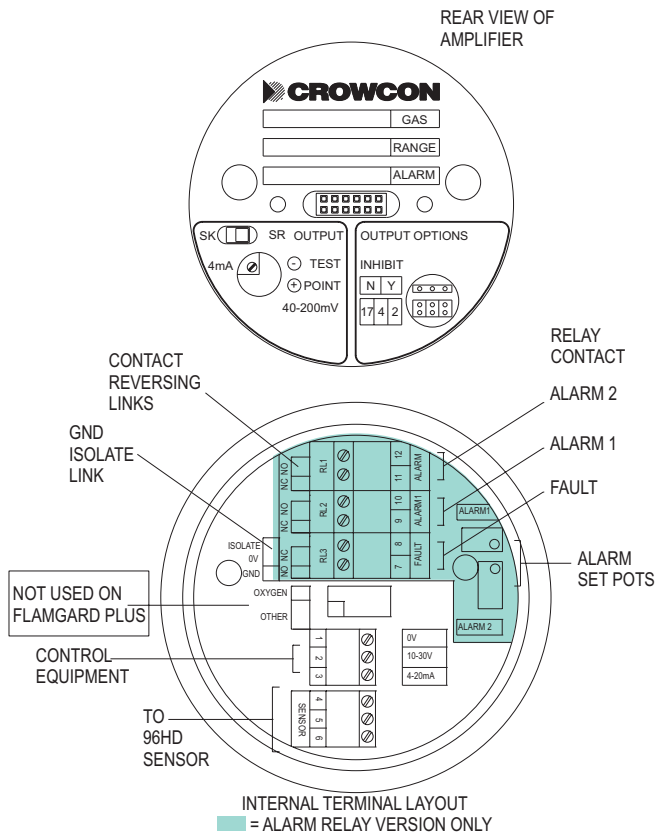


Diagram 2: Terminal and amplifier layouts 1.3 Status Indication

### 1.3 Status Indication

Flamgard Plus includes a local display and status LED, visible through the junction box window. This is shown in Diagram 1.

The display shows the current flammable gas concentration in the range 0-100%LEL and current mode of operation ie NORMAL, ZERO or CAL. The LED shows the current alarm state of the detector. This is summarised in Table 1.

Operational state	LED indication	4-20mA outputs*	Relay states*	Comment*
Normal operation	Steady green	4 to 7.2mA	AL1 - Off AL2 - Off FAULT - On	0 to 20% LEL
Normal operation (ALARM 1)	Steady red	7.2 to 10.4mA	AL1 - On AL2 - Off FAULT - On	20 to 40% LEL
Normal operation (ALARM 2)	Flashing red	10.4 to 20mA	AL1 - On AL2 - On FAULT - On	40 to 100% LEL
Over-range	Flashing red	24mA (clamp)	AL1 - On AL2 - On FAULT - On	>100% LEL Display back-light flashes
Zero/calibration mode	Flashing green	Configuration dependent (see section 2)	Configuration dependent (see section 2)	Latched until reset via 'MENU'
Detector fault	Steady amber	0mA	AL1 - Off AL2 - Off FAULT - Off	

\*As standard, AL1 = 20%LEL and AL2 = 40%LEL


 = Relay version only

Table 1: LED status indicator summary.

## 2. Detector configuration

### 2.1 Standard configuration

As standard, Flamgard-Plus is factory set as follows:

Current source with	0 mA = Fault 2 mA = Inhibit ie. Zero/Cal mode 4-20 mA = Normal operation 24 mA = Over-range clamp
AL1 relay	Alarm level 1 set to 20%LEL Normally de-energised, energising on alarm Contact normally open (NO), closing on alarm
AL2 relay	Alarm level 2 set to 40%LEL Normally de-energised, energising on alarm Contact normally open (NO), closing on alarm
FAULT relay	Normally energised, de-energised on fault Contact normally closed (NC), opening on fault
Alarm/fault relays automatically reset when alarm or fault has cleared.	
INHIBIT	Normally selected, ie. when CAL/ZERO selected current output is forced to 2mA and relays are held in normal/no alarm state.

### 3. Installation

#### WARNING

**Flamgard Plus is designed for use in Zone 1 and 2 hazardous areas and is certified Ex db IIC T6 Gb. Installation must be in accordance with the recognised standards of the appropriate authority in the country concerned. For more information contact Crowcon. Prior to carrying out any work ensure local regulations and site procedures are followed.**

#### 3.1 Location

There are no rules which dictate the siting and location of detectors, however, considerable guidance is available from BS EN 60079-29-2:2015 'Explosive atmospheres. Gas detectors. Selection, installation, use and maintenance of detectors for flammable gases and oxygen'. Similar international codes of practice may be used where applicable. In addition certain regulatory bodies publish specifications giving minimum gas detection requirements for specific applications.

The detector should be mounted where the gas is most likely to be present. The following points should be noted when locating flammable gas detectors:

- To detect gases which are lighter than air (eg methane), detectors should be mounted at high level and Crowcon recommend the use of a collector cone (**Part No. C01051**).
- To detect heavier than air gases (eg butane), detectors should be mounted at low level.
- When locating detectors consider the possible damage caused by natural events e.g. rain or flooding. For detectors mounted outdoors Crowcon recommend the use of a Weatherproof Cap (**Part No. C01442**).
- Consider ease of access for functional testing and servicing.



- Consider how the escaping gas may behave due to natural or forced air currents. Mount detectors in ventilation ducts if appropriate.
- Consider the process conditions. Butane, for instance is normally heavier than air, but if released from a process line which is at an elevated temperature and/or under pressure, the gas may rise rather than fall.

The placement of detectors should be determined following advice of experts having specialist knowledge of gas dispersion, the plant processing equipment as well as safety and engineering issues. The agreement reached on the locations of sensors should be recorded.

### 3.2 Mounting

The mounting detail of Flamgard Plus is given in Diagram 1. Flamgard Plus should be installed at the designated location with the detector pointing down. This ensures that dust or water will not collect on the sinter and stop gas entering the detector.

### 3.3 Cabling requirement

Cabling to Flamgard Plus must be in accordance with the recognised standards of the appropriate authority in the country concerned and meet the electrical requirements of the detector. Crowcon recommend the use of steel wire armoured (SWA) cable and suitable explosion proof glands must be used. Alternative cabling techniques, such as steel conduit, may be acceptable provided appropriate standards are met.

Flamgard Plus requires a dc supply of 12-30 V at up to 210 mA. Ensure the minimum dc supply of 12 V is observed at the detector, taking into account the voltage drop due to cable resistance.

For example, a nominal dc supply at the control panel of 24 V has a guaranteed minimum supply of 20 V. The maximum voltage drop allowed is therefore 8 V. Flamgard Plus can demand up to 210 mA and so the maximum loop resistance allowed is 38 Ohms. A 1.5 mm<sup>2</sup> cable will typically allow cable runs up to 1500 m.

Table 2 shows maximum cable distances given typical cable parameters.

CSA mm <sup>2</sup> (awg)	Resistance (Ohms per km)		Max. distance m (ft)
	Cable	Loop	
1.0 (17)	18.1	36.2	1000 (3280)
1.5 (15)	12.1	24.2	1500 (4920)

Table 2: Maximum cable distances for typical cables

Acceptable cross sectional area of cable is 0.5 to 1.5 mm<sup>2</sup>. Table 2 provides guidance only, actual cable parameters for each application should be used to calculate maximum cable distances.

### 3.4 Electrical connections

All connections are made via the terminal board mounted in the base of the junction box (see Diagram 2). The 3 wires from the 96HD are colour coded and should be terminated in the corresponding colour coded terminal (terminals 4, 5 & 6). Terminals 1 (0 Vdc), 2 (12-30 Vdc) and 3 (4-20mA signal) are connected to the control equipment. Flamgard Plus is factory set as a 4-20 mA source device unless specified otherwise when ordering (see Section 2 to change configuration). Diagram 3 summarises the electrical connections.

**Note:** The junction box and cable armour must be earthed at the detector or control panel to limit the effect of radio frequency interference and to maintain electrical safety.

**Note:** The junction box for the Flamgard Plus is manufactured from marine-grade alloy, and has a powder-coated finish. Care should be taken during installation to protect the painted finish, as use in saline environments could result in paint flaking off from damaged junction boxes. This in no way compromises the performance of the detector, as the marine-grade alloy junction box is approved for use in offshore environments.

All electrical connections to the optional relays are made via the 6-way terminal block on the terminal board in the base of the junction box (see Diagram 2). The relay contacts are rated 1 A @ 30 Vdc.

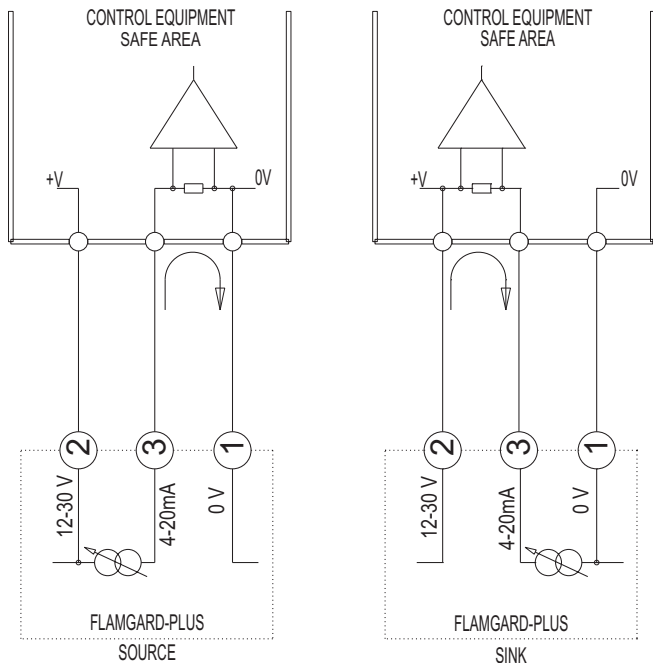


Diagram 3: Electrical connections to Flamgard Plus

## 4. Operation

### WARNING

**Prior to carrying out any work ensure local regulations and site procedures are followed. Never attempt to open the detector or junction box when flammable gas is present. Ensure that the associated control panel is inhibited so as to prevent false alarms.**

#### 4.1 Commissioning Procedure

- a Open the junction box of the detector by loosening the tamper proof grub screw and removing the lid by rotating it anti-clockwise.
- b Remove the amplifier and check that all electrical connections have been made and are correct as per Diagram 3.
- c Replace the amplifier and close the junction box ensuring that all screws have been re-fitted correctly.
- d Apply power to the detector. The status LED will show a steady green indicating normal operation.
- e Leave the detector to stabilise for 1-2 hours.

#### *Zeroing the detector (ZERO Mode):*

- f Place the end of 'CRO-Mag' over the 'MENU'. Green Status LED will flash. Decimal point above 'ZERO' will illuminate. Display backlight will illuminate. Decimal point above 'INHIBIT' may flash if the option has been internally selected.
- g With no flammable gas present at the detector, place the end of the 'CRO-Mag' key over the 'UP' or 'DOWN' arrow pads to make the display read zero.

#### *Calibrating the detector (CAL Mode):*

- h Place the end of the 'CRO-Mag' over the MENU pad. The decimal point above the word CAL will illuminate. Other indications remain unchanged.
- i Apply calibration gas to the detector at a flow rate of 0.5 litres/min. Crowcon recommend 50% LEL gas for calibration purposes (contact Crowcon for the supply of calibration gas.)

- j Allow the gas reading to stabilise.
- k Place the end of the 'CRO-Mag' over the 'UP' or 'DOWN' arrow pads to make the display read the correct concentration.
- l If the control equipment display requires adjustment consult the operating manual for the equipment.

*Returning to normal operation (NORMAL Mode):*

- n Place the end of 'CRO-Mag' over the 'MENU' pad. All decimal points will disappear and the backlight will turn off. The green status LED will be on steadily (assuming no gas is present at the detector).
- o The detector is now operational.
- p Verify the control system to which the detector is connected reads correctly and for detectors fitted with the optional relay module; check that any connected alarms or output functions operate correctly when the detector is in alarm state.

**Note:** Always return the detector to NORMAL mode to avoid leaving the detector in a permanently inhibited state.

**Note:** ATEX certified Flamgard-Plus flammable gas detectors will be supplied calibrated for compliance with EN60079-20-1 (where for example 100% LEL methane = 4.4% volume).

## 4.2 Routine maintenance

The operational life of the pellistor sensor depends on the application for which it is being used. Such a device should work satisfactorily for up to 5 years in ideal conditions. Site practices will dictate the frequency with which detectors are tested. Crowcon recommend that detectors be gas tested at least every 6 months and re-calibrated as necessary. To re-calibrate a detector follow steps given in 4.1.

Pellistors can suffer from loss of sensitivity when there is a presence of poisons or inhibitors such as silicones, sulphides, chlorine, lead or halogenated hydrocarbons. Flamgard Plus uses poison resistant pellistors to maximise the operational life. In applications where such compounds are present continuously, we recommend the use of Xgard

IR or IRmax, Crowcon's fixed point infrared flammable gas detectors, which are immune to such poisons and inhibitors.

Detectors fitted with the optional relay module should be periodically tested to verify that any connected alarms or output functions operate correctly when the detector is in alarm state.

### 4.3 Sensor replacement/servicing of detectors

#### WARNING

**This work should be carried out by Crowcon or an approved service centre unless suitable training has been received.**

Flamgard Plus uses the 96HD sensor housing which allows the user to replace the sensors, gaskets and sinter if necessary. An exploded view of the 96HD sensor housing is given in Diagram 4. The following procedure may be followed when servicing a Flamgard Plus detector.

- a Switch off and isolate power to the detector requiring attention.
  - b Open the detector Junction box by loosening the tamper proof grub screw and removing the lid by rotating it anti-clockwise.
  - c Remove the amplifier.
  - d Disconnect the 3 sensor wires from the terminal board (terminals 4, 5 & 6).
  - e Unscrew the complete 96HD sensor housing from the junction box.
- Note:** If a spare 96HD sensor housing complete with new sensor is available ignore steps f to k and return the old 96HD to Crowcon or an approved service centre for repair.
- f Open the 96HD sensor housing by removing the four Allen head screws from the Top Cap with a 3mm Allen key.
  - g Remove the sensor from the Top Cap PCB. Flammable sensors have an extra black sleeve which may be separate from the sensor. This is normal and the sleeve may be re-used.
  - h Fit the replacement sensor checking the part number is correct. This part number is labelled on the main body of the detector.

- i Inspect the gaskets and replace if necessary.
- j The sinter assembly will only need to be replaced if it has become blocked by dust or oil. Such blockage causes the response time of the detector to be slow and may affect sensitivity. To remove the sinter a removal tool (Part # M01614) is required. Loctite No 243 must be used on the sinter assembly threads to maintain certification.

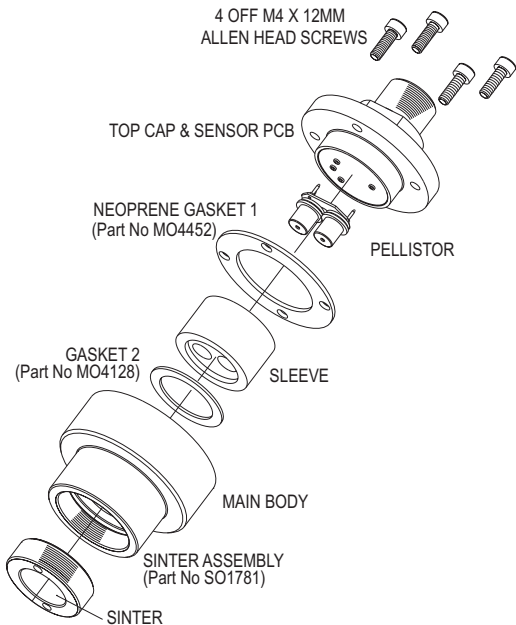


Diagram 4: 96HD assembly

- k** Re-assemble the 96HD housing taking time to ensure that the 3 mm Allen head screws are securely fixed into position.
- l** Fit the 96HD sensor housing to the junction box ensuring that the colour coded wires are terminated correctly.
- m** Replace amplifier ensuring the captive screws are fastened securely.
- n** Switch on power.
- o** Using a DVM measure the voltage across Test Points 'A' and adjust Set Bridge Volts (Pot A) until the DVM reads correctly (see Table 3 for complete list).
- p** Using a DVM measure the voltage across Test Points 'B' and adjust Set Balance (Pot B) until the DVM reads 0 mV.
- q** Close the junction box remembering to fasten the tamper proof grub screw into position.
- r** Follow the Commissioning Procedure given in 4.1.

Sensor Part no.	Element	Test point 'A' voltage (mV)	Comment
S01-637/A	VQ21T	310	Poison resistant
/B	300P	280	Poison resistant
/C	VQ8	350	Lead resistant
/D	VQ16	350	Early model
/E	VQ22	170	Low power
/F	VQ25	310	For Halogens
/G	VQ41	310	Ammonia or aviation fuel

**Storage Instructions:** The sensor used in this detector should be stored in a dry environment, and protected from exposure to silicones, sulphides, chlorines and lead. Exposure to these compounds will significantly reduce the sensitivity of the sensor, and render the sensor warranty void.



## 4.4 Changing Alarm Levels (Relay Version Only)

### WARNING

**This work should be carried out by Crowcon or an approved service centre unless suitable training has been received. Before attempting to change alarm levels ensure the detector is in fresh air and no flammable gas is present.**

As standard the AL1 and AL2 alarm levels are factory set at 20% LEL and 40% LEL respectively. To change either alarm level:

- a Switch off and isolate power to the detector requiring attention.
- b Open the junction box of the detector by loosening the tamper proof grub screw and removing the lid by rotating it anti-clockwise.
- c Remove the amplifier from the terminal board.
- d Ensure that the 'INHIBIT' link is set to 'N'.
- e Re-fit the amplifier to the terminal board ensuring that all screws have been secured correctly.
- f Apply power to the detector and allow the detector to stabilise.
- g Place the end of "CRO-Mag" over the "MENU" pad. The decimal point above the word 'ZERO' will illuminate.
- h With no flammable gas present at the detector, place the end of the 'CRO-Mag' key over the 'UP' or 'DOWN' arrow pads to make the display read the desired alarm level.
- i Using a long instrument screwdriver, turn the relevant ALARM SET pot mounted on the terminal board (see Diagrams 1 & 2) to adjust the alarm level. Tripping of the ALARM 1 level relay is confirmed by the status LED turning a steady red. Tripping of the ALARM 2 level relay is confirmed by the Status LED flashing red.
- j Once the alarm level has been set, place end of 'CRO-Mag' over the 'UP' or 'DOWN' arrow pads and reset the display to read zero.
- k Place the end of the 'CRO-Mag' over the 'MENU' pad to return the detector to normal operation, ie. No decimal points displayed, backlight off and the Status LED indicating steady green.

- l** Check that the detector operates correctly by applying test gas as necessary.
- m** Switch off and isolate power to the detector.
- n** Reset jumpers which may have been changed in step 'd' above.
- o** Replace the amplifier and close the junction box, ensuring that all screws have been re-fitted correctly.
- p** Apply power to the detector and allow to stabilise before checking correct operation.
- q** Re-calibrate if necessary as per section 4.1.

**Notes:****Area Classifications:-**

- Zone 0: An area classified, as Zone 0 will have ignitable concentrations of flammable gases, vapours or liquids present continuously or for long periods of time under normal operating conditions.
- Zone 1: An area classified, as Zone 1 is likely to have ignitable concentrations of flammable gases, vapours or liquids present under normal operating conditions.
- Zone 2: An area classified, as Zone 2 is not likely to have ignitable concentrations of flammable gases, vapours or liquids present under normal operating conditions.

## 5. Spare parts and accessories

Description	Part number
M20 to 1/2 inch NPT adaptor	M02125
M20 to 3/4 inch NPT adaptor	M02281
Gasket 1	M04452
Gasket 2	M04128
Sinter removal tool	M01614
Collector Cone	C01051
Ceiling Mounting Bracket	M01401
Weatherproof Cap	C01442
Replacement 'CRO-Mag'	C01697
96HD sensor housing complete with sensor	S01749*1
Replacement sensor	S01673*1
Sinter assembly	S01781
Amplifier	S01865
Terminal board	S01846
Relay board	S01847
Loctite No. 243	Contact Crowcon
Calibration gas	Contact Crowcon

*\*1 Flamgard-Plus may be fitted with a range of pellistor sensors depending on the specific application. The correct spare sensor part number is itemised on the sensor housing label.*

## 6. Specifications

<b>Dimensions</b>	200 x 115 x 115 mm (8" x 4 1/2" x 4 1/2")
<b>Weight</b>	2.2 kg (4.8 lbs)
<b>Material</b>	96HD sensor housing: 316 Stainless steel Junction box: Marine grade alloy
<b>Temperature range</b>	-10°C to +55°C (14°F to 131°F)
<b>Humidity range</b>	0-99% RH, non condensing
<b>Ingress protection</b>	IP65
<b>Explosion protection</b>	Flameproof
<b>Approval codes</b>	ATEX: II 2 G Ex db IIC T6 Gb Tamb= -20°C to +55°C
<b>Safety Cert No.</b>	Sira03ATEX1124
<b>Standards</b>	IEC 60079-0: 2017 Ed.7, EN60079-1:2014
<b>Zones</b>	Certified for use in Zone 1 or Zone 2 areas. (see area classifications section)
<b>Gas groups</b>	IIA, IIB, IIC
<b>Operating voltage</b>	12-30 Vdc
<b>Operating current</b>	Relay version: 210 mA (maximum) Non-relay version: 160 mA (maximum)
<b>Detector output</b>	4-20 mA source or sink selectable 0 mA = Fault 2 mA = Inhibit (4 mA option) 4-20 mA = 0-100% LEL 24 mA = Over range
<b>Relays outputs</b>	2 x Alarm relays SPNO (SPNC option) 1 x Fault relay SPNC (SPNO option)
<b>Contact rating</b>	1 A @ 30 Vdc





#### **UK Office**

Crowcon Detection Instruments Ltd  
172 Brook Drive,  
Milton Park,  
Abingdon  
Oxfordshire  
OX14 4SD  
Tel: +44 (0) 1235 557700  
Fax: +44 (0) 1235 557749  
Email: [sales@crowcon.com](mailto:sales@crowcon.com)  
Website: [www.crowcon.com](http://www.crowcon.com)

#### **USA Office**

Crowcon Detection Instruments Ltd  
1455 Jamike Ave, Suite 100  
Erlanger  
KY 41018  
Tel: +1 859 957 1039 or 1 800 527 6926  
Fax: +1 859 957 1044  
Email: [salesusa@crowcon.com](mailto:salesusa@crowcon.com)  
Website: [www.crowcon.com](http://www.crowcon.com)

#### **Singapore Office**

Crowcon Detection Instruments Ltd  
Block 194, Pandan Loop  
#06-20 Pantech Industrial Complex  
Singapore 128383  
Tel: + 65 6745 2936  
Fax: +65 6745 0467  
Email: [sales@crowcon.com.sg](mailto:sales@crowcon.com.sg)  
Website: [www.crowcon.com](http://www.crowcon.com)

#### **China Office**

Crowcon Detection Instruments Ltd  
(Beijing)  
Unit 316, Area 1, Tower B, Chuangxin  
Building  
12 Hongda North Road, Beijing  
Economic Technological Development  
Area  
Beijing, China 100176  
Tel: +86 10 6787 0335  
Fax: +86 10 6787 4879  
Email: [saleschina@crowcon.cn](mailto:saleschina@crowcon.cn)  
Website: [www.crowcon.com](http://www.crowcon.com)

